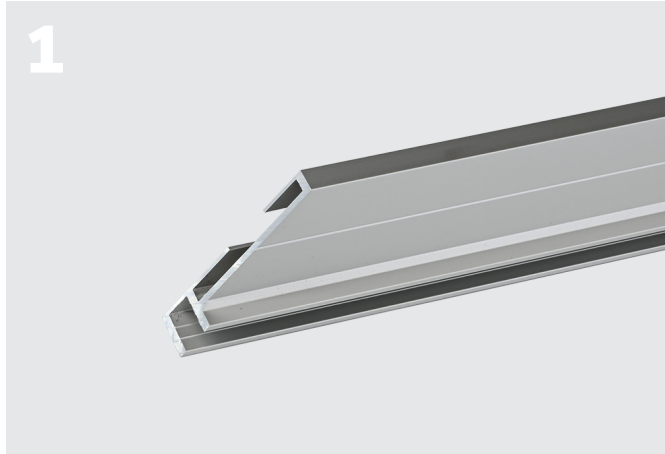


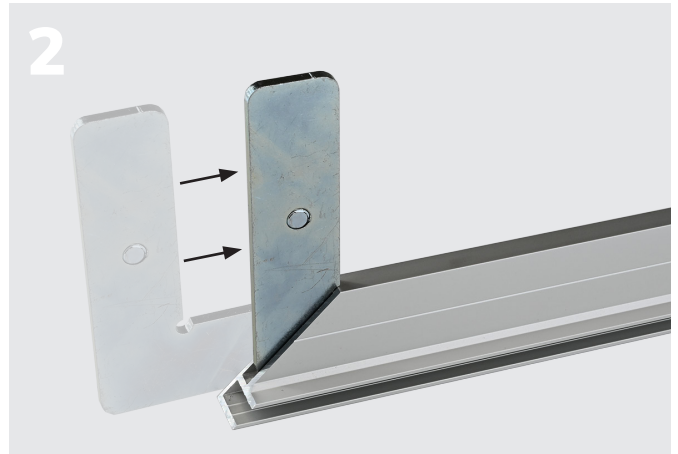
FRAME ASSEMBLING INSTRUCTIONS

Profile: 17 mm

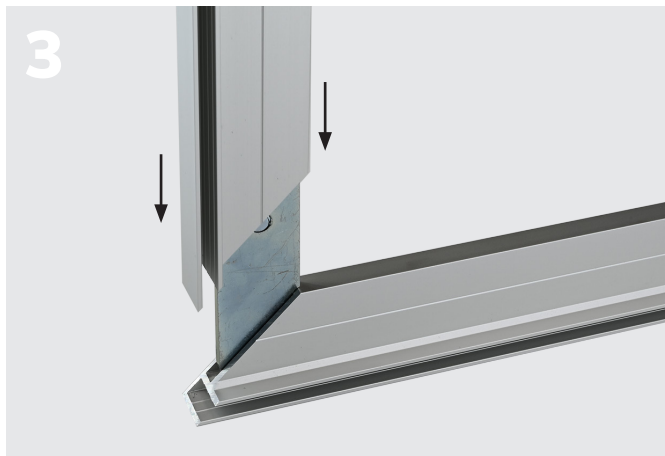
- it is recommended to assemble the frame in a horizontal position on a clean and flat surface
- assembly instructions are universal (skip unnecessary steps for your frame)



Lay the side of the frame on the floor.



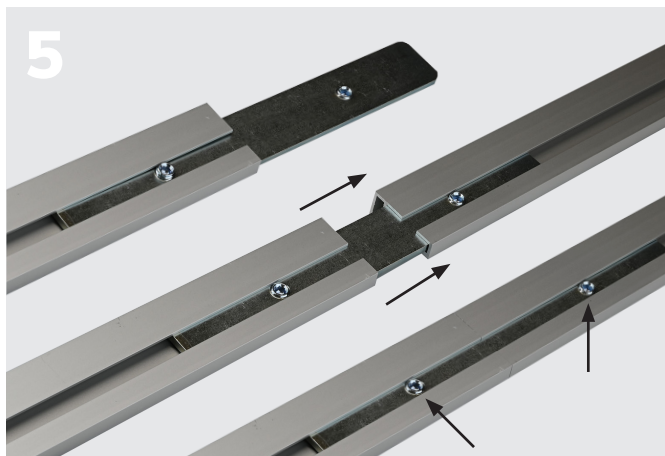
Insert the threaded connecting bracket into the grooves on the profile.



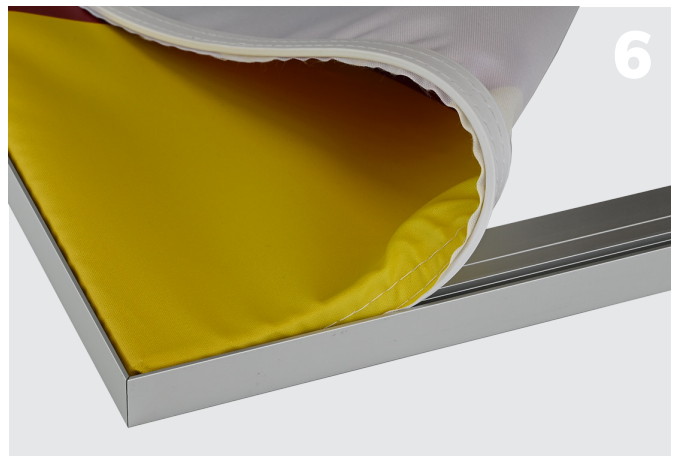
Insert the other side of the frame into the corners.



Align the sides and angles to 90° and tighten the threads on the bracket with the supplied Allen screwdriver.



For split frame sides, use connectors that you insert into the profile groove and tighten the threads.

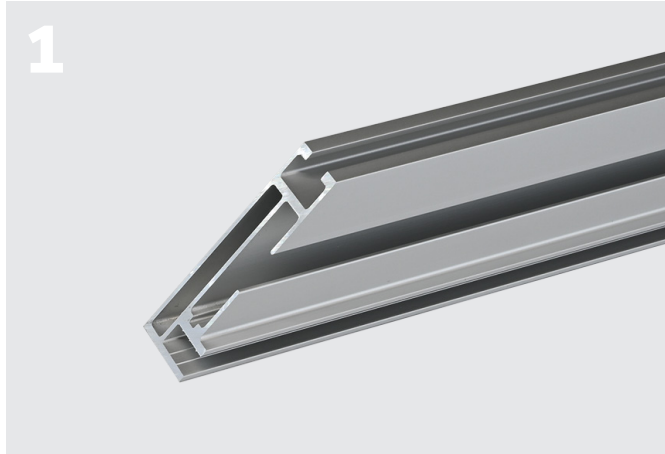


Insert the canvas into the frame.

FRAME ASSEMBLING INSTRUCTIONS

Profile: 25 mm

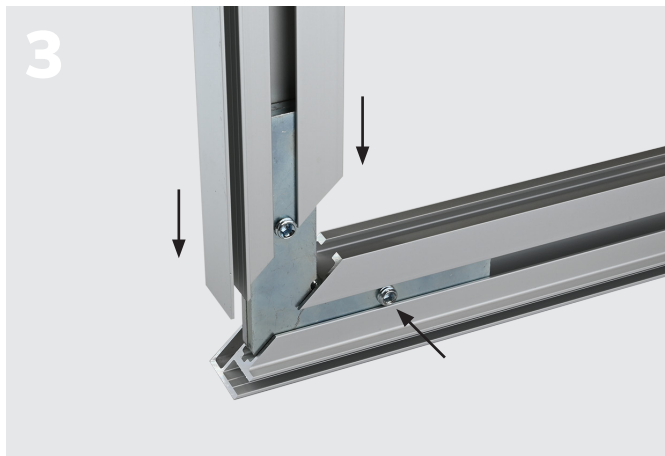
- it is recommended to assemble the frame in a horizontal position on a clean and flat surface
- assembly instructions are universal (skip unnecessary steps for your frame)



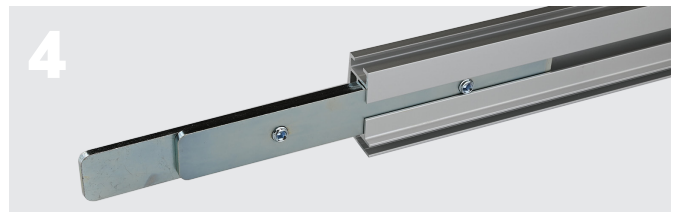
Lay the side of the frame on the floor.



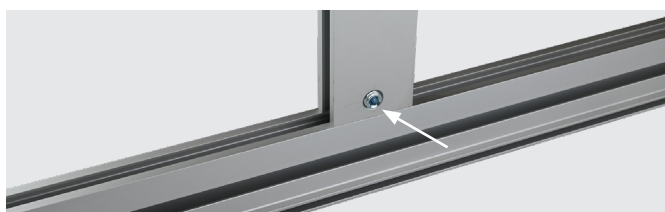
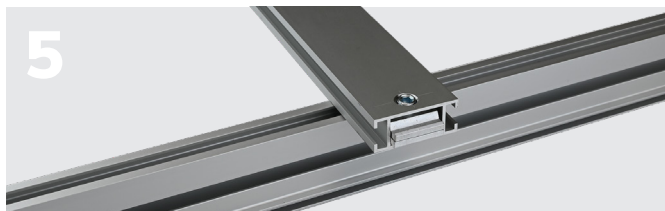
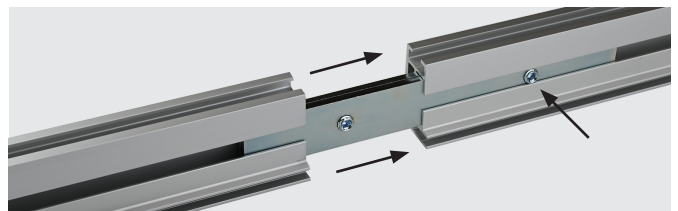
Insert the connecting angles into the bracket on the profile (1x with threads, 1x without threads).



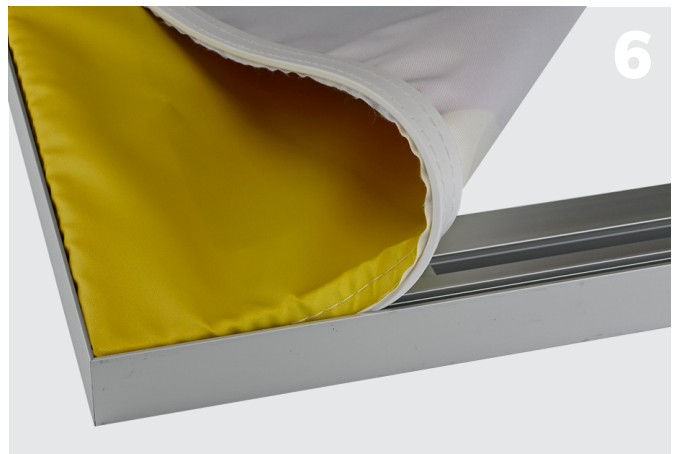
Insert the side of the frame on the angles, align the sides and brackets to 90° and tighten the threads on the bracket with the supplied Allen screwdriver.



Use connectors for split frame pages (1x with threads, 1x without threads), which you insert into the groove of the profile and tighten the threads.



For larger frames, use connectors that you insert into the profile groove and tighten the threads.

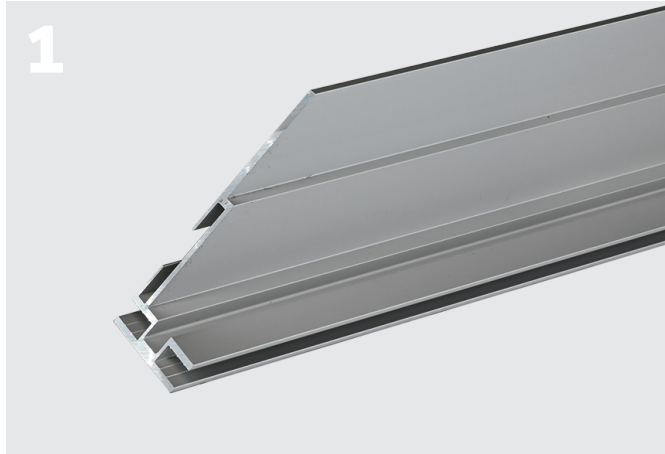


Insert the canvas into the frame.

FRAME ASSEMBLING INSTRUCTIONS

Profile: 40 mm

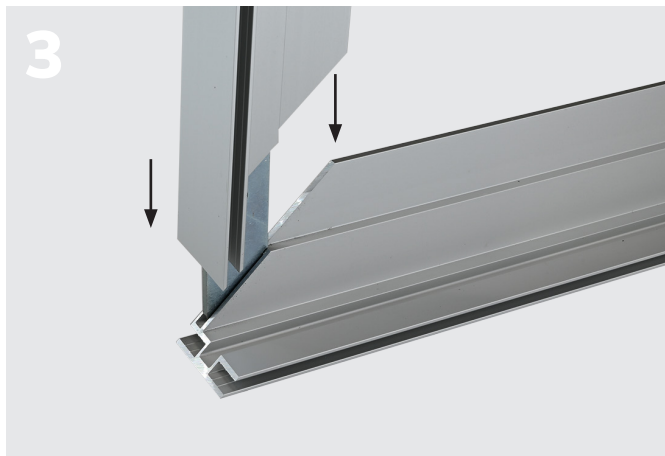
- it is recommended to assemble the frame in a horizontal position on a clean and flat surface
- assembly instructions are universal (skip unnecessary steps for your frame)



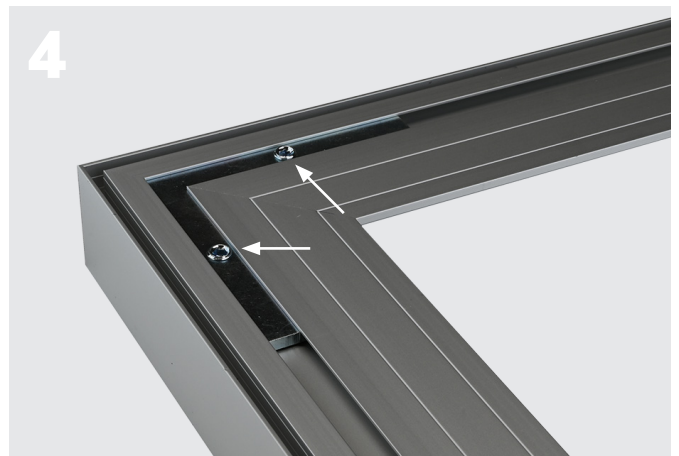
Lay the side of the frame on the floor.



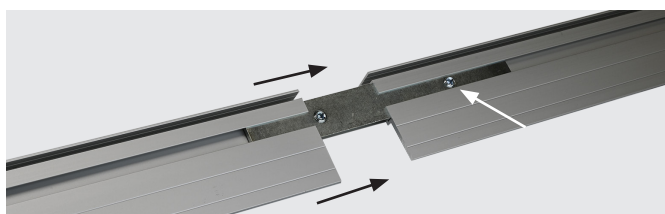
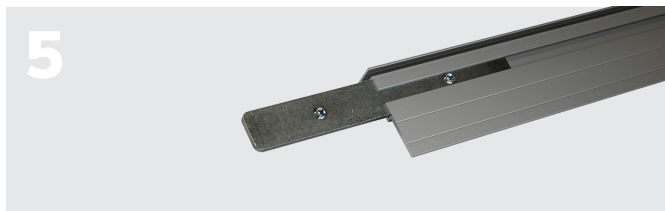
Insert the connecting angles into the bracket on the profile (1x with threads, 1x without threads).



Insert the other side of the frame into the corners.



Align the sides and angles to 90° and tighten the threads on the bracket with the supplied Allen screwdriver.



For split frame sides, use connectors that you insert into the profile groove and tighten the threads.

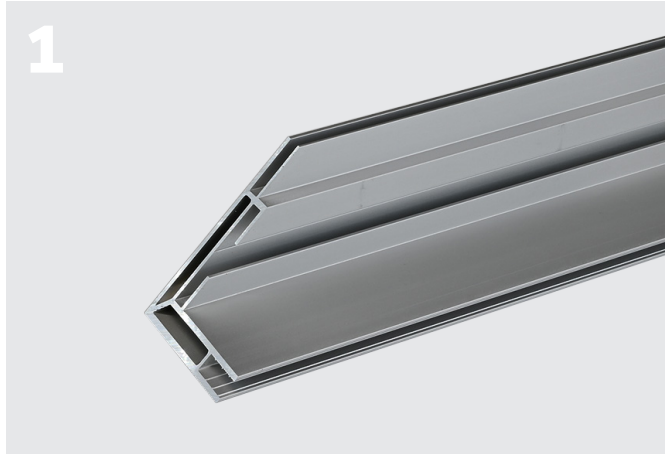


Insert the canvas into the frame.

FRAME ASSEMBLING INSTRUCTIONS

Profile: 50 mm (one-sided)

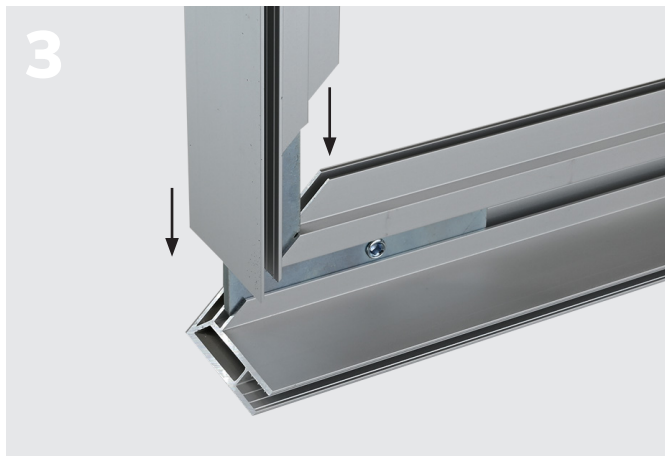
- it is recommended to assemble the frame in a horizontal position on a clean and flat surface
- assembly instructions are universal (skip unnecessary steps for your frame)



1 Lay the side of the frame on the floor.



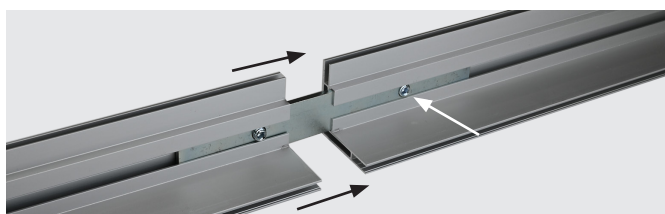
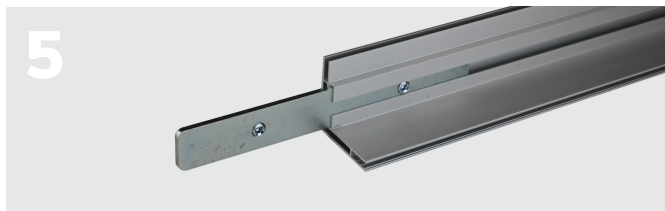
2 Insert the connecting angles into the bracket on the profile (1x with threads, 1x without threads).



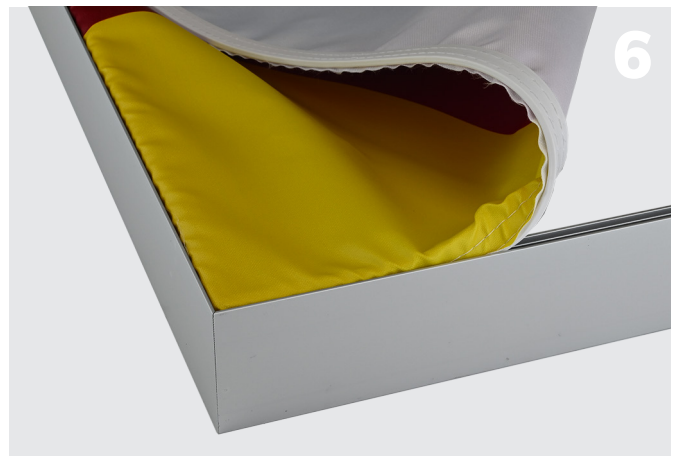
3 Insert the other side of the frame into the corners.



4 Align the sides and angles to 90° and tighten the threads on the bracket with the supplied Allen screwdriver.



5 For split frame sides, use connectors that you insert into the profile groove and tighten the threads.



6 Insert the canvas into the frame.

FRAME ASSEMBLING INSTRUCTIONS

Profile: 50 mm (double-sided)

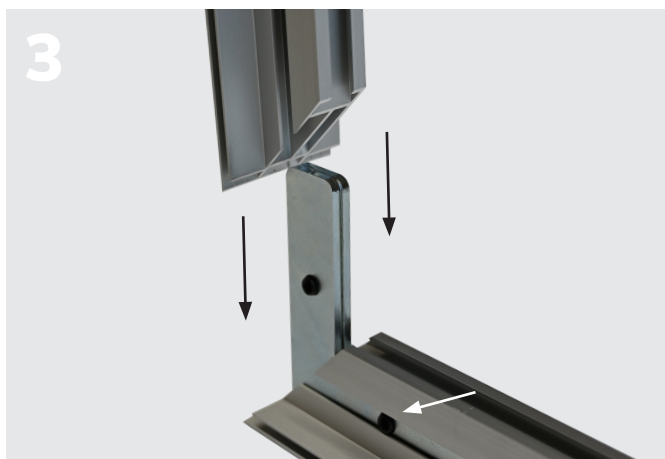
- it is recommended to assemble the frame in a horizontal position on a clean and flat surface
- assembly instructions are universal (skip unnecessary steps for your frame)



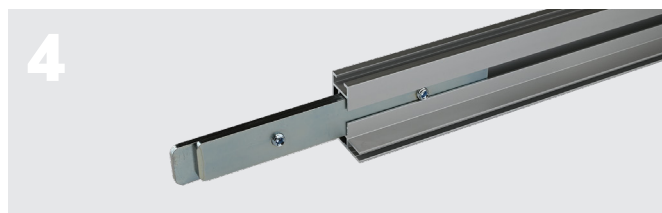
Lay the side of the frame on the floor.



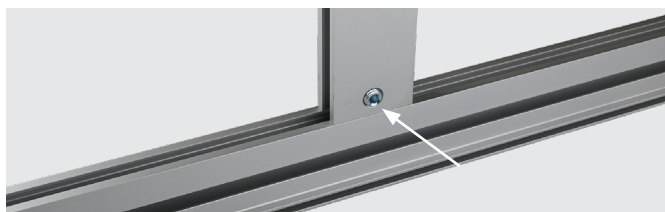
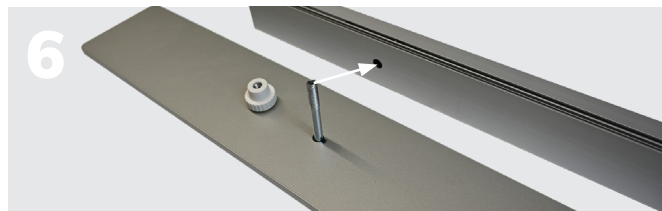
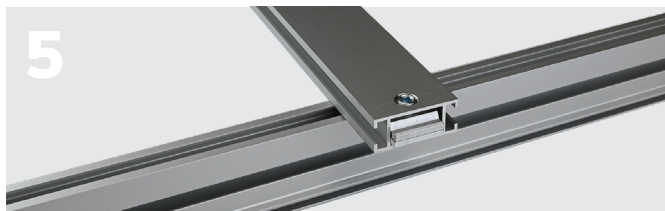
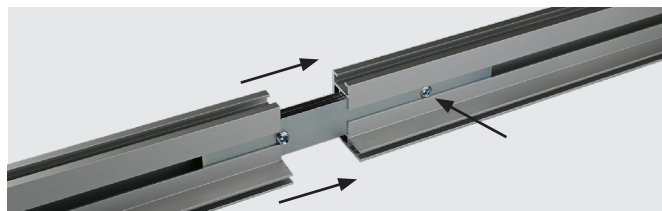
Insert the connecting angles into the bracket on the profile (1x with threads, 1x without threads).



Insert the side of the frame on the angles, align the sides and brackets to 90° and tighten the threads on the bracket with the supplied Allen screwdriver.



Use connectors for split frame pages (1x with threads, 1x without threads), which you insert into the groove of the profile and tighten the threads.



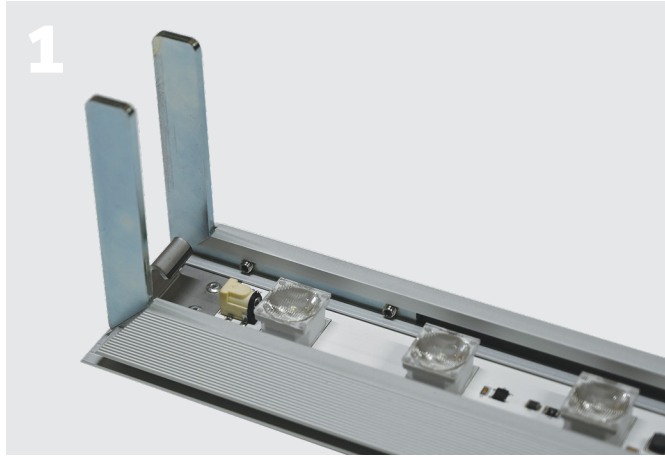
For larger frames, use connectors that you insert into the profile groove and tighten the threads.

Attach the legs to the side with the holes and screw them on.

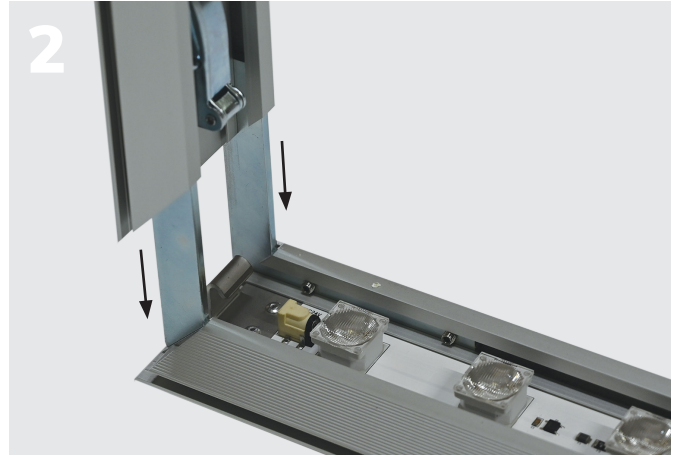
FRAME ASSEMBLING INSTRUCTIONS

Profile: 85 mm

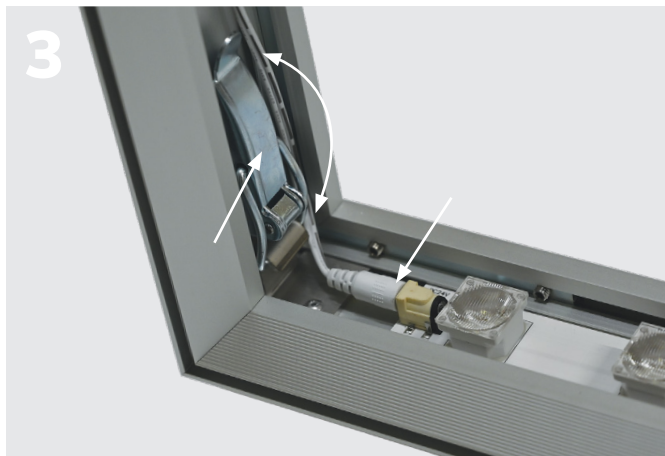
- it is recommended to assemble the frame in a horizontal position on a clean and flat surface
- assembly instructions are universal (skip unnecessary steps for your frame)



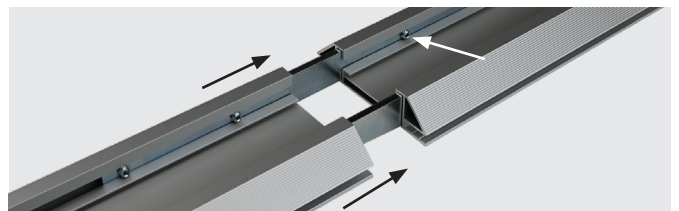
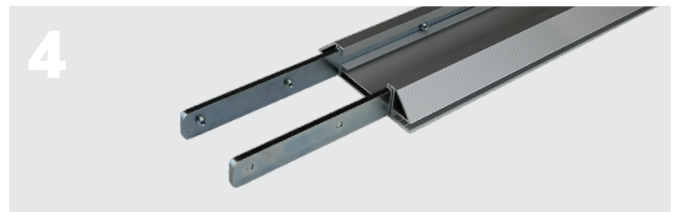
Lay the side of the frame on the floor.



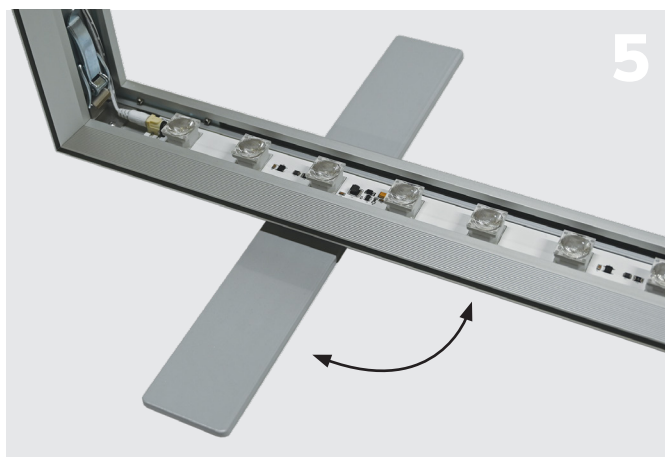
Insert the other side of the frame into the corners.



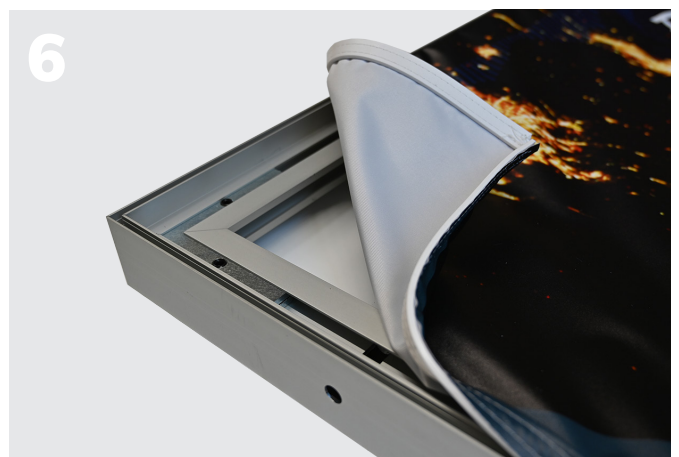
Connect the sides with the metal clip located on the side and insert the connecting electrical cable into the connector on the LED module.



For split frame sides, use connectors that you insert into the profile groove and tighten the threads.



Rotate the standing legs for 90°.

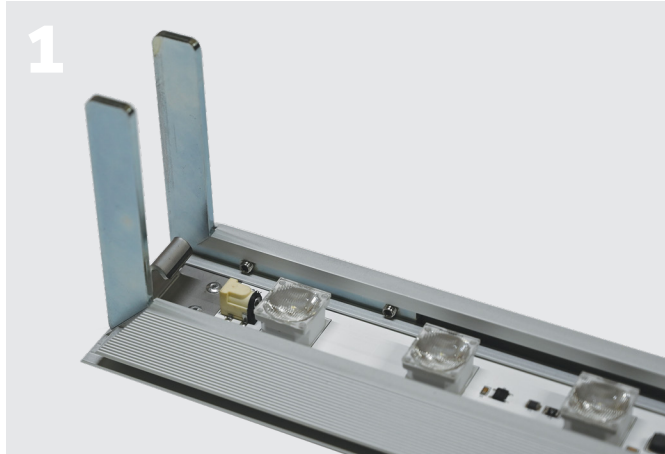


Insert the canvas into the frame.

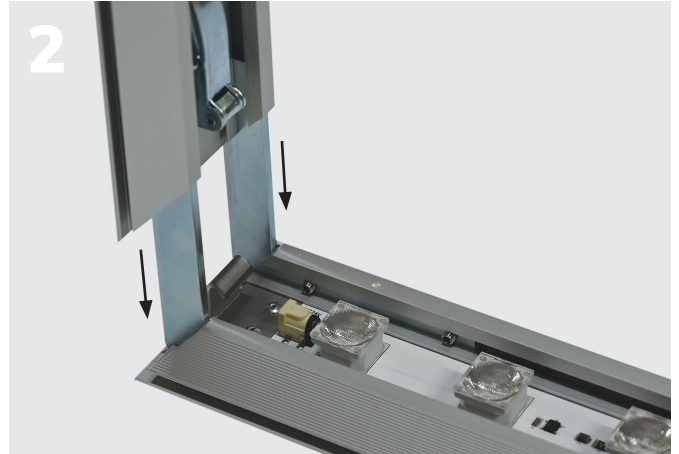
FRAME ASSEMBLING INSTRUCTIONS

Profile: 85 mm (wall mounting)

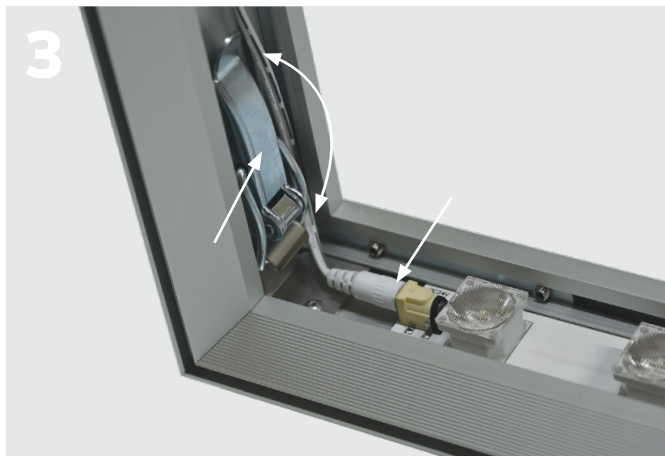
- it is recommended to assemble the frame in a horizontal position on a clean and flat surface
- assembly instructions are universal (skip unnecessary steps for your frame)



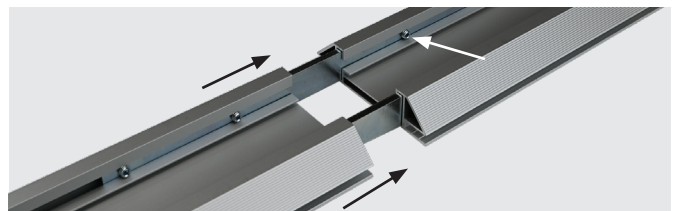
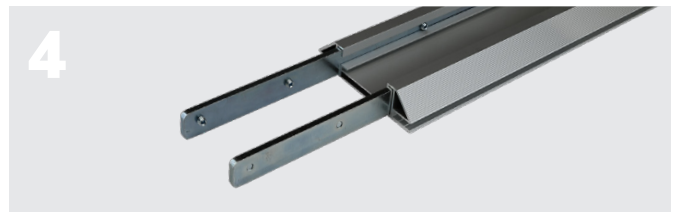
Lay the side of the frame on the floor.



Insert the other side of the frame into the corners.



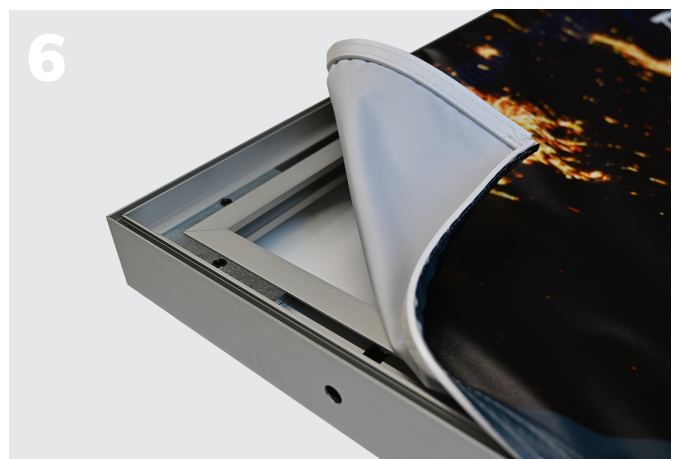
Connect the sides with the metal clip located on the side and insert the connecting electrical cable into the connector on the LED module.



For split frame sides, use connectors that you insert into the profile groove and tighten the threads.



Insert the wall bracket into the groove of the profile, tighten the stabilizing thread and fasten it to the wall directly through the already inserted rear unprinted canvas.



Insert the canvas into the frame.

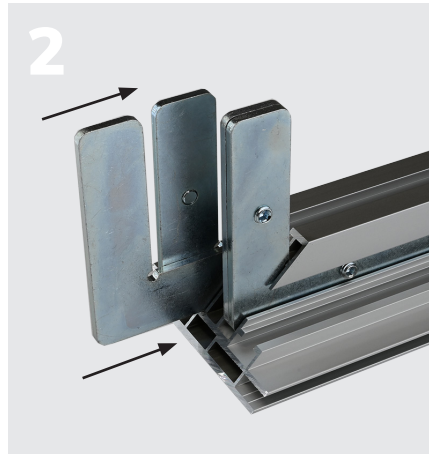
FRAME ASSEMBLING INSTRUCTIONS

Profile: 100 mm

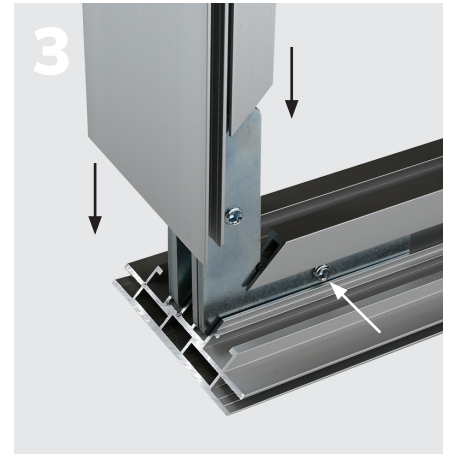
- it is recommended to assemble the frame in a horizontal position on a clean and flat surface
- assembly instructions are universal (skip unnecessary steps for your frame)



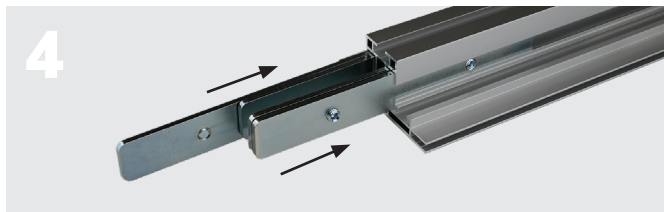
Lay the side of the frame on the floor.



Insert 2 sets of connecting brackets into the grooves on the profile (1x with threads, 1x without threads).



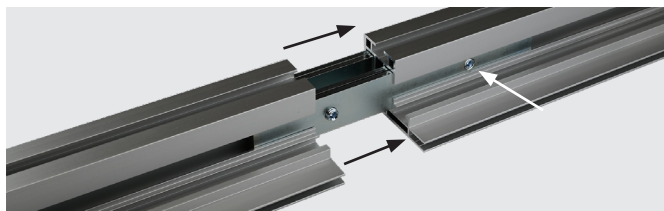
Insert the side of the frame on the angles, align the sides and brackets to 90° and tighten the threads on the bracket with the supplied Allen screwdriver.



Use connectors for split frame pages (1x with threads, 1x without threads), which you insert into the groove of the profile and tighten the threads.



For larger frames, use connectors that you insert into the profile groove and tighten the threads.



With the frames illuminated, insert the winding lights into the groove on the profile and screw them in with the supplied thread and connect the power cables.

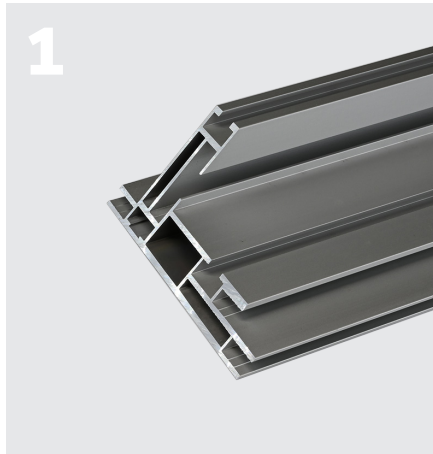


Insert the canvas into the frame.

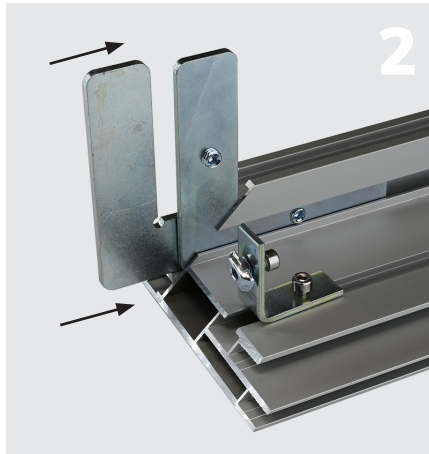
FRAME ASSEMBLING INSTRUCTIONS

Profile: 120 mm

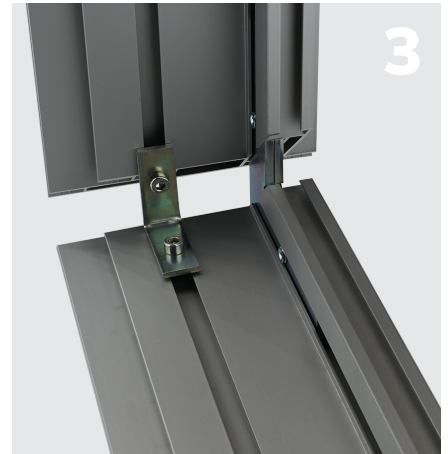
- it is recommended to assemble the frame in a horizontal position on a clean and flat surface
- assembly instructions are universal (skip unnecessary steps for your frame)



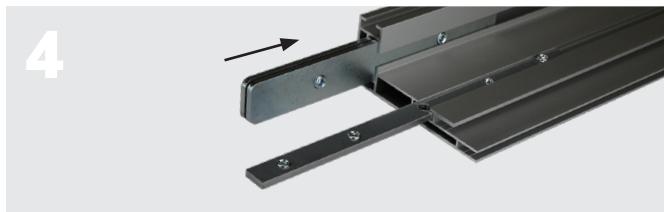
Lay the side of the frame on the floor.



Insert 2 sets of connecting brackets into the grooves on the profile (1x with threads, 1x without threads).



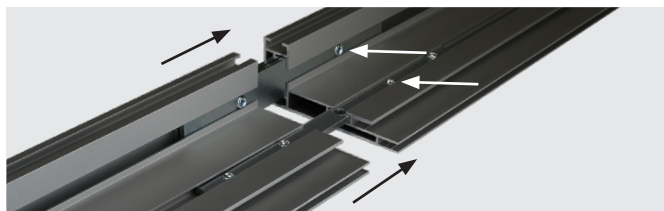
Insert the side of the frame on the angles, align the sides and brackets to 90° and tighten the threads on the bracket with the supplied Allen screwdriver.



Use connectors for split frame pages (1x with threads, 1x without threads), which you insert into the groove of the profile and tighten the threads.



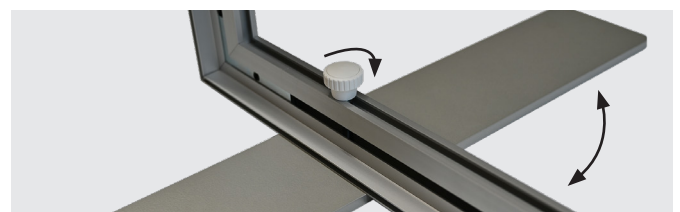
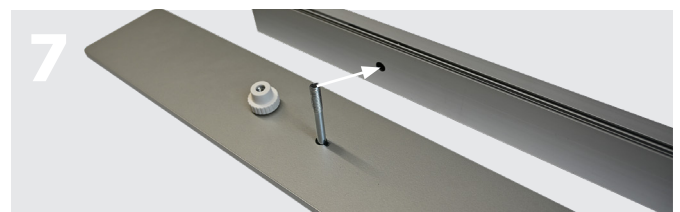
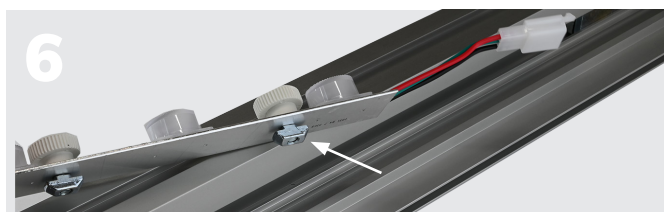
For larger frames, use connectors that you insert into the profile groove and tighten the threads.



With the frames illuminated, insert the winding lights into the groove on the profile and screw them in with the supplied thread and connect the power cables.



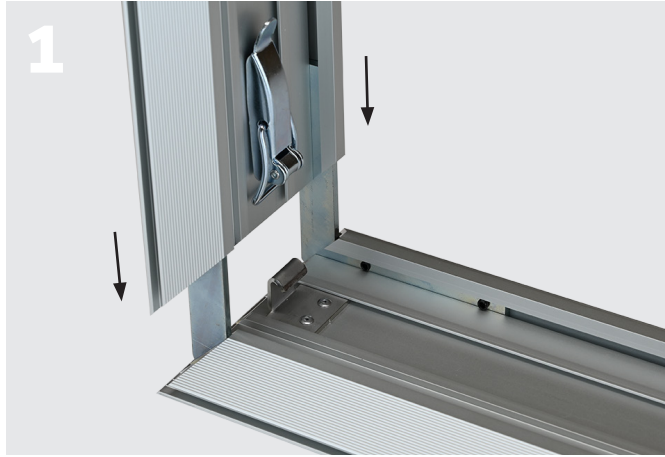
Attach the legs to the side with the holes and screw them on.



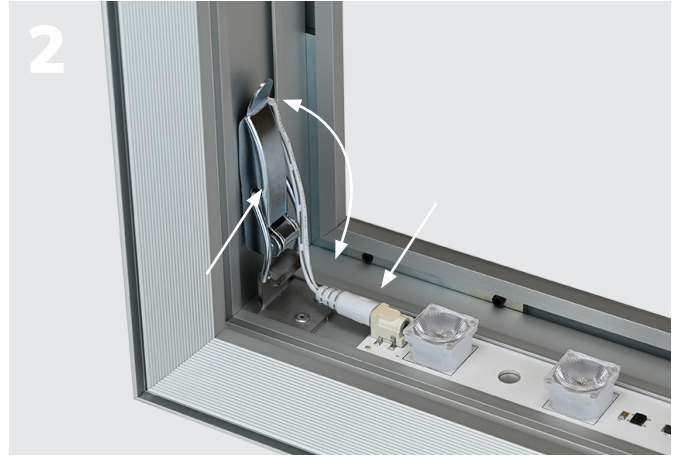
FRAME ASSEMBLING INSTRUCTIONS

Profile: 140 mm

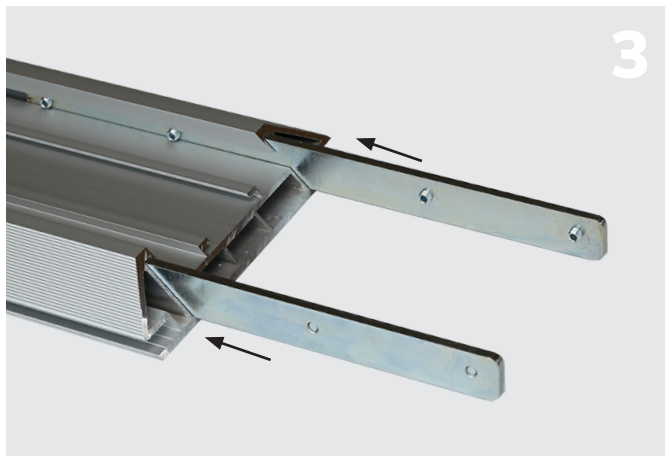
- it is recommended to assemble the frame in a horizontal position on a clean and flat surface
- assembly instructions are universal (skip unnecessary steps for your frame)



Lay the side of the frame on the floor and insert the other side of the frame into the corners



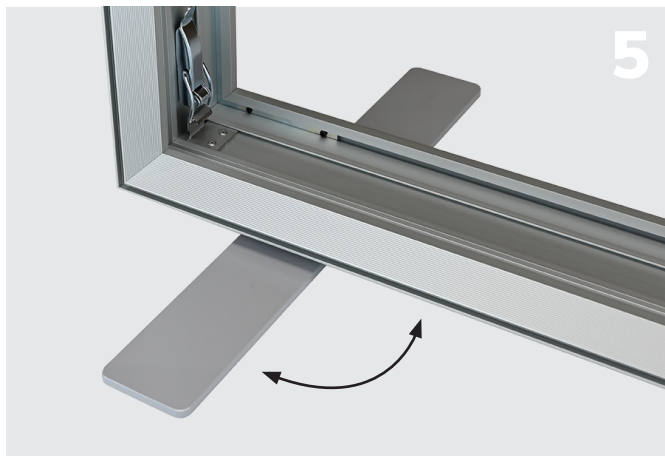
Connect the sides with the metal clip located on the side and insert the connecting electrical cable into the connector on the LED module.



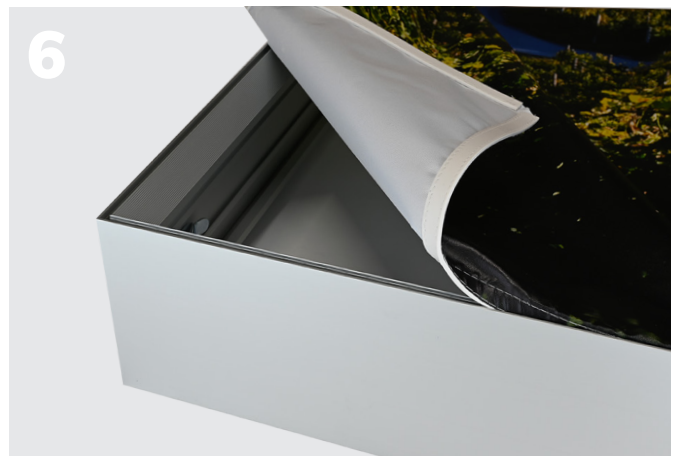
For split frame sides, use connectors that you insert into the profile groove and tighten the threads.



For larger frames, use connectors that are set to a hole on the outside, insert a second connection profile into the groove in the middle and tighten the threads.



Rotate the standing legs for 90°.

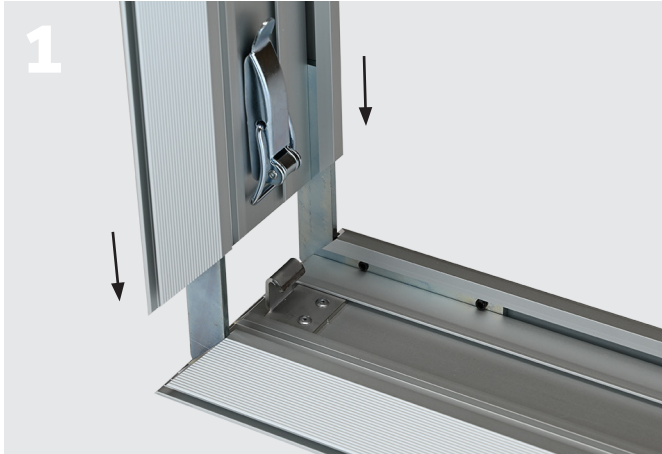


Insert the canvas into the frame.

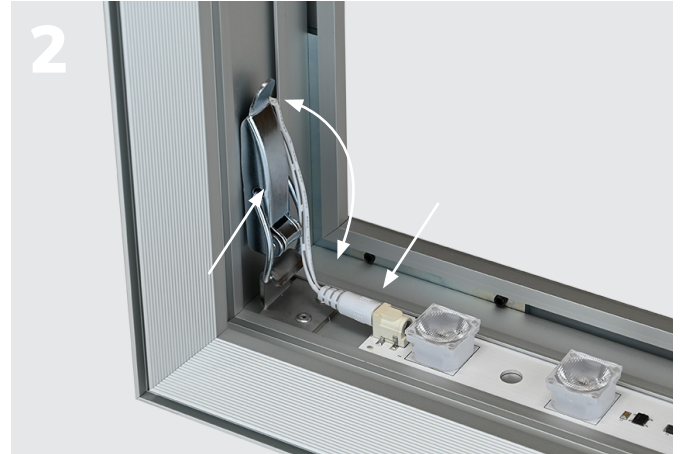
FRAME ASSEMBLING INSTRUCTIONS

Profile: 140 mm (wall mounting)

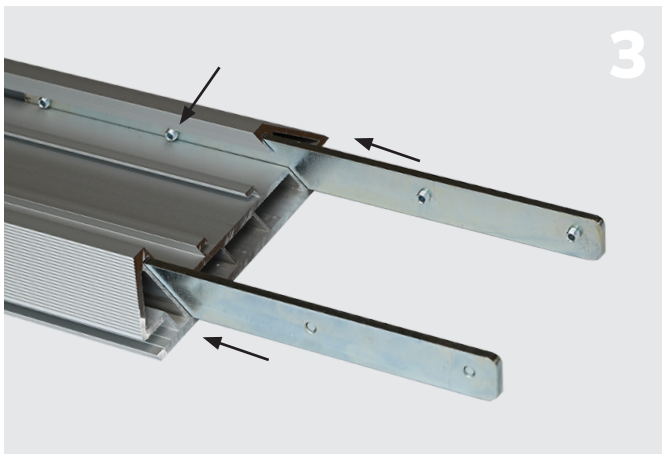
- it is recommended to assemble the frame in a horizontal position on a clean and flat surface
- assembly instructions are universal (skip unnecessary steps for your frame)



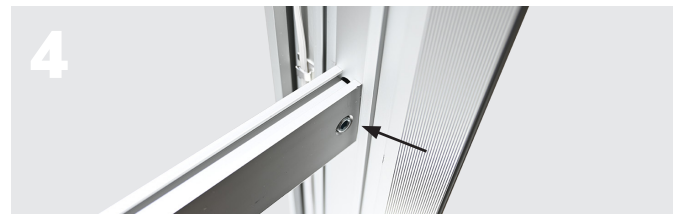
Lay the side of the frame on the floor and insert the other side of the frame into the corners



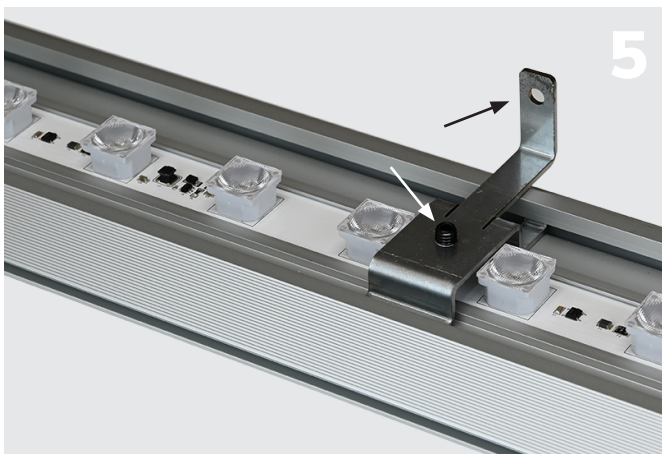
Connect the sides with the metal clip located on the side and insert the connecting electrical cable into the connector on the LED module.



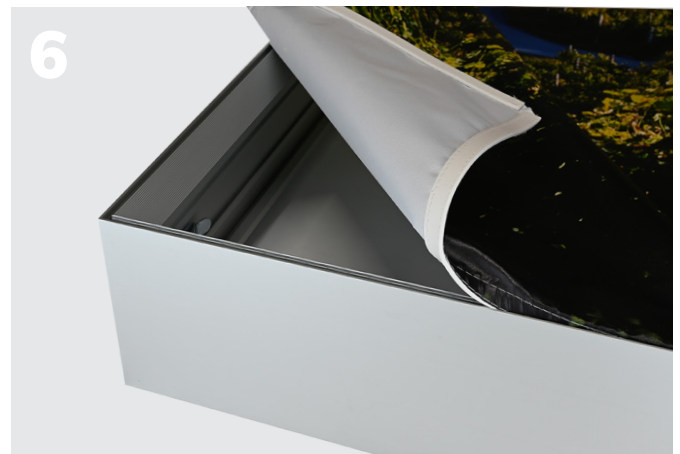
For split frame sides, use connectors that you insert into the profile groove and tighten the threads.



For larger frames, use connectors that are set to a hole on the outside, insert a second connection profile into the groove in the middle and tighten the threads.



Insert the wall bracket into the groove of the profile, tighten the stabilizing thread and fasten it to the wall directly through the already inserted rear unprinted canvas.



Insert the canvas into the frame.

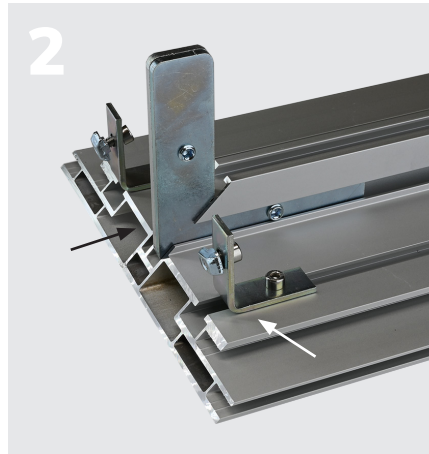
FRAME ASSEMBLING INSTRUCTIONS

Profile: 200 mm

- it is recommended to assemble the frame in a horizontal position on a clean and flat surface
- assembly instructions are universal (skip unnecessary steps for your frame)



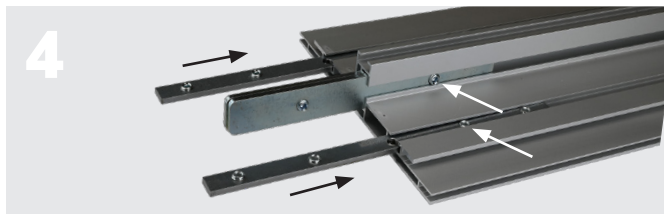
Lay the side of the frame on the floor.



Insert the connecting angles into the bracket on the profile (1x with threads, 1x without threads, 2x small with threads).



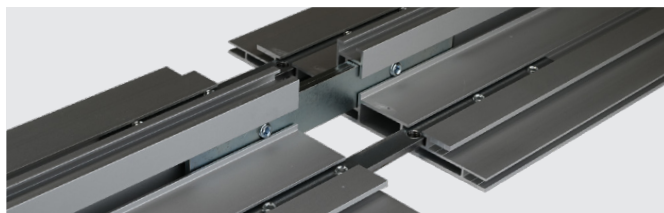
Insert the side of the frame on the angles, align the sides and brackets to 90° and tighten the threads on the bracket with the supplied Allen screwdriver.



Use connectors for split frame pages (1x with threads, 1x without threads), which you insert into the groove of the profile and tighten the threads.



For larger frames, use connectors that you insert into the profile groove and tighten the threads.



With the frames illuminated, insert the winding lights into the groove on the profile and screw them in with the supplied thread and connect the power cables.



Attach the legs to the side with the holes and screw them on.

